

# Anderson Injectors

## S Series Ratio:Feeder®

### The Original

Water Powered, Positive Displacement, Proportional,  
Chemical Metering Pump



*Single Solution  
"SD" Unit*

The S Series injector is the most reliable water powered proportional injector available. With over 50 years of proven service, no other product on the market comes close to matching the S Series' record of accuracy, dependability and value. Works with flows from 4 to 50 gallons per minute and ratios up to 1:160. Stronger and/or multiple solutions are available by adding an external manifold and pumpers.

***Please call or email with any questions***

**Gary Fay – Eastern Sales Manager**

[gary@heanderson.com](mailto:gary@heanderson.com)

**Randy Nester – HEA Sales**

[randy@heanderson.com](mailto:randy@heanderson.com)

**Bruce Walters – HEA Sales**

[bruce@heanderson.com](mailto:bruce@heanderson.com)



**H.E. Anderson**  
COMPANY

[www.heanderson.com](http://www.heanderson.com)

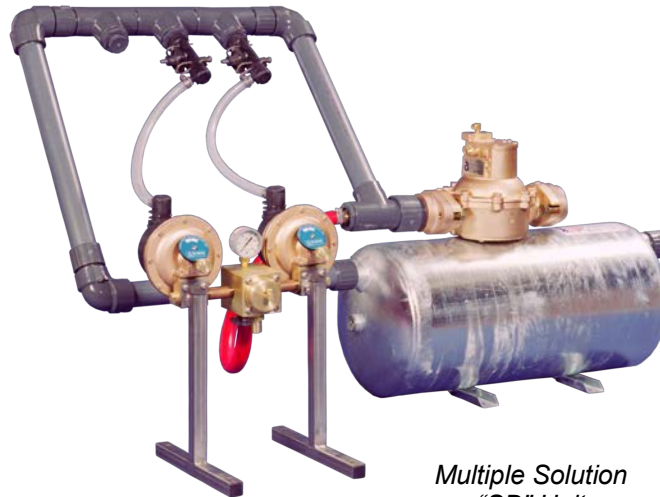
Phone 1-800-331-9620

# Anderson Injectors

## S Series Ratio:Feeder®

### Applications Include:

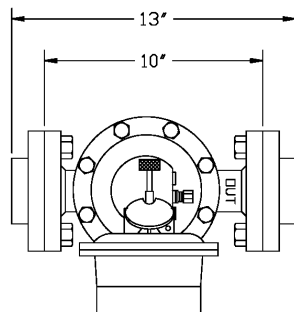
- Hypochlorination
- Sanitizing
- Growth Regulators
- pH Adjustment
- Horticulture
- Off Grid Applications
- Agriculture
- Scale and Corrosion Inhibitors



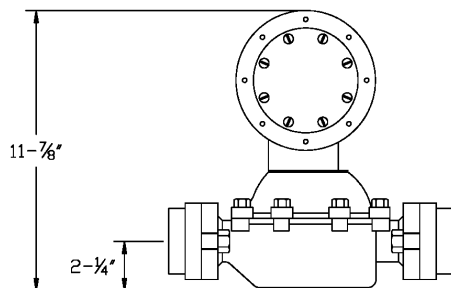
Multiple Solution  
"SD" Unit

### Featuring:

- Minimal Pressure Loss
- Completely Water Operated
- Accurate Over Time
- No Electricity Required
- Positive Displacement Diaphragm Pumps
- Volume Proportioning
- Multiple Pumps Available
- Pressure Range:  
30 to 125 psi  
(15 to 75 psi w/  
low pressure option)
- Flow Range:  
4 to 50 GPM

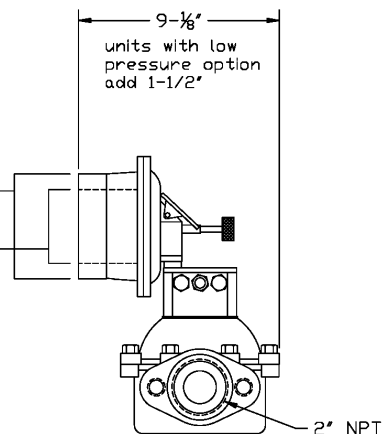


### Installation Dimensions



No. 4 Pumper  
4-1/2" Dia.

No. 1, 2, & T4  
Pumper 3-3/8" Dia.



**H.E. Anderson**  
COMPANY

[www.heanderson.com](http://www.heanderson.com)

Phone 1-800-331-9620