



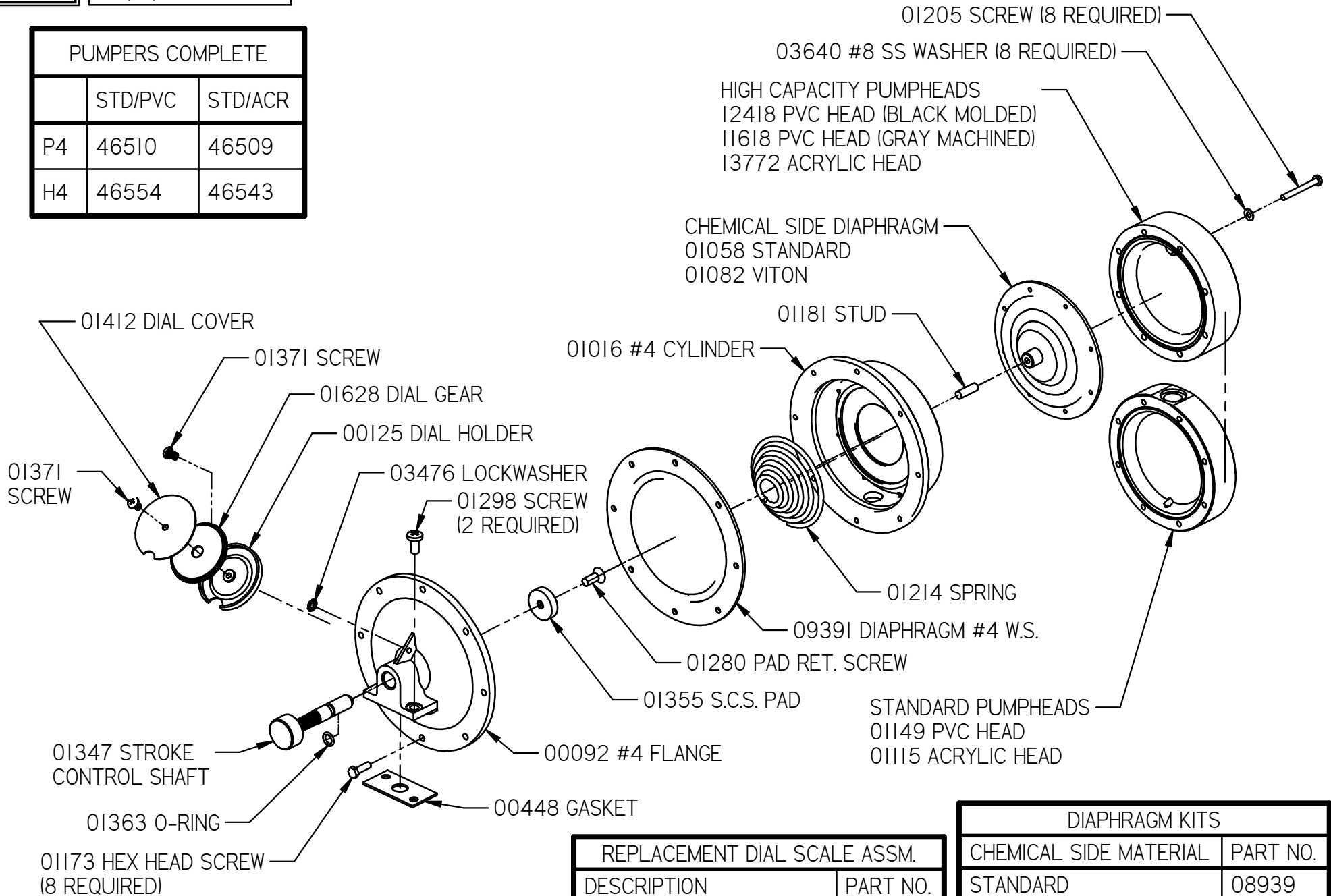
**H.E. Anderson**  
**COMPANY**  
 Muskogee, OK. 74402-1006  
 (918) 687-4426

NAME: H4 or P4 PUMPER ASSEMBLY

DATE: 11-25-2013

Proprietary Rights Apply To The Subject Shown And Are Property Of H.E. Anderson Co., Inc.

PUMPERS COMPLETE		
	STD/PVC	STD/ACR
P4	46510	46509
H4	46554	46543



REPLACEMENT DIAL SCALE ASSM.	
DESCRIPTION	PART NO.
Dial Scale #0/2/4	16821

DIAPHRAGM KITS	
CHEMICAL SIDE MATERIAL	PART NO.
STANDARD	08939
VITON	08921