



H.E. Anderson
COMPANY
 Muskogee, OK. 74402-1006
 (918) 687-4426

NAME: STANDARD CAPACITY LIQUID END PARTS

DATE: 1-26-2016

Proprietary Rights Apply To The Subject Shown And Are Property Of H.E. Anderson Co., Inc.

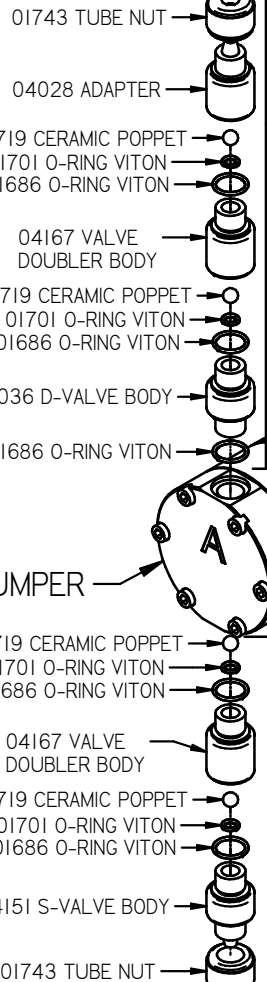
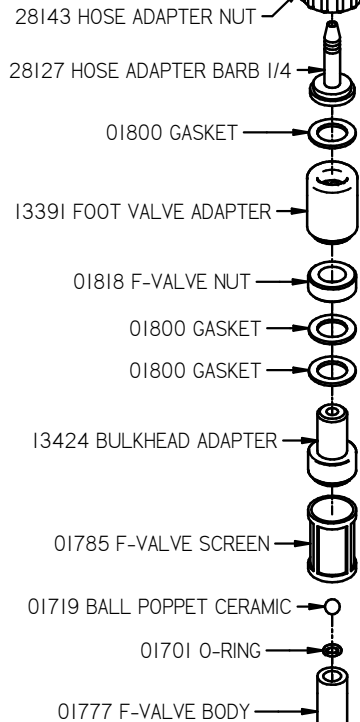
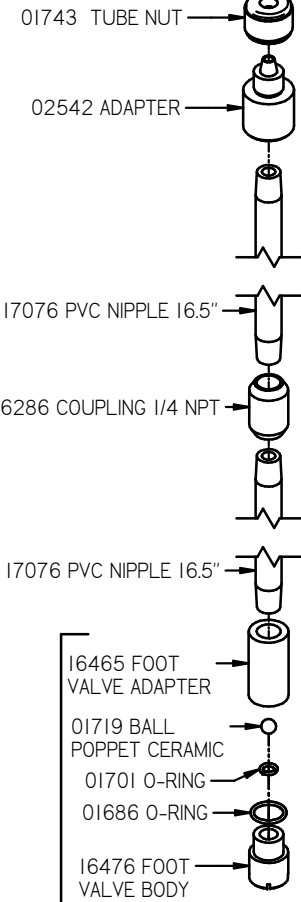
17087 SUCTION PIPE
2 PIECE 33"

13334 STANDARD CAPACITY
1/4" FOOT VALVE FLUSH FITTING

04490
IPF Universal Complete Round

06892 TUBING
 3/8 O.D. BLACK
 USE WITH
 PRESSURE AND ACID

06909 TUBING
 3/8 O.D. CLEAR
 DO NOT USE WITH
 PRESSURE OR ACID

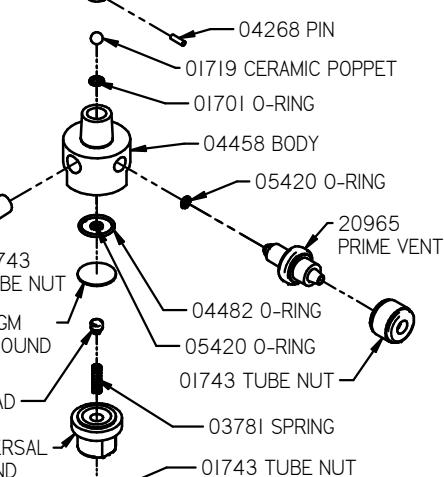


DISCHARGE VALVE COMPLETE
 02857 SINGLE POPPET
 09275 DOUBLE POPPET
 SUFFIX 'G' = WITH SPRING
 SUFFIX 'S' = STAINLESS BALL

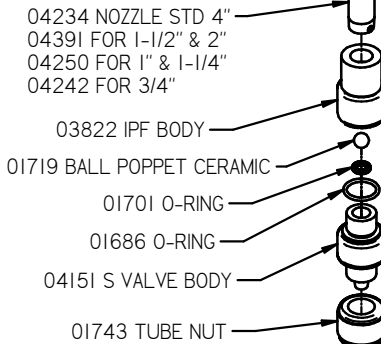
04234 NOZZLE STD 4"
 04391 FOR 1-1/2" & 2"
 04250 FOR 1" & 1-1/4"
 04242 FOR 3/4"

04218 ADAPTER
 1/4NPTm x
 3/8 OD TUBE

04474 DIAPHRAGM COMPLETE IPF ROUND
 04424 PAD
 04466 UNIVERSAL IPF CAP ROUND



09838 PLAIN INJECTION POINT FITTING



06735 POPPET KIT
 3 ea 01719 CERAMIC POPPET
 2 ea 05420 O-RING
 3 ea 01686 O-RING

05399 IPF ROUND REPAIR KIT
 1 ea 01701 O-RING
 1 ea 04474 DIAPHRAGM COMPLETE
 2 ea 05420 O-RING
 1 ea 04482 O-RING

OPTIONAL PARTS
 01917 STAINLESS STEEL BALL POPPETS
 19609 SPRINGS FOR CHECK BALLS