



H.E. Anderson
COMPANY
 Muskogee, OK. 74402-1006
 (918) 687-4426

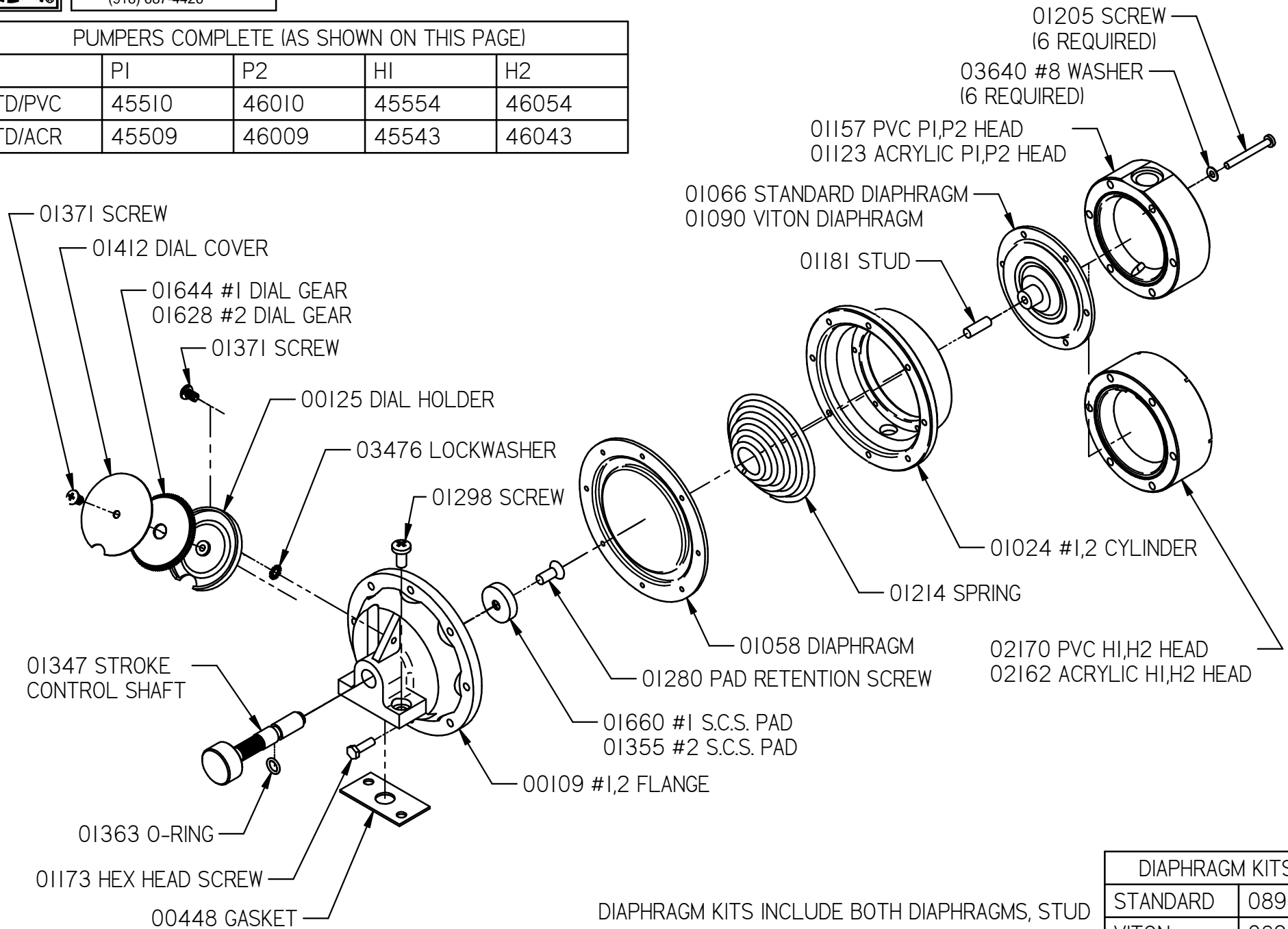
NAME: PI, P2, HI, H2 PUMPER ASSEMBLY

DATE: 11-25-2013

Proprietary Rights Apply To The Subject Shown And Are Property Of H.E. Anderson Co., Inc.

PUMPERS COMPLETE (AS SHOWN ON THIS PAGE)

	PI	P2	HI	H2
STD/PVC	45510	46010	45554	46054
STD/ACR	45509	46009	45543	46043



DIAPHRAGM KITS	
STANDARD	08913
VITON	08905

DIAPHRAGM KITS INCLUDE BOTH DIAPHRAGMS, STUD ALL O-RINGS, GASKETS AND 2 EACH EXTRA SCREWS