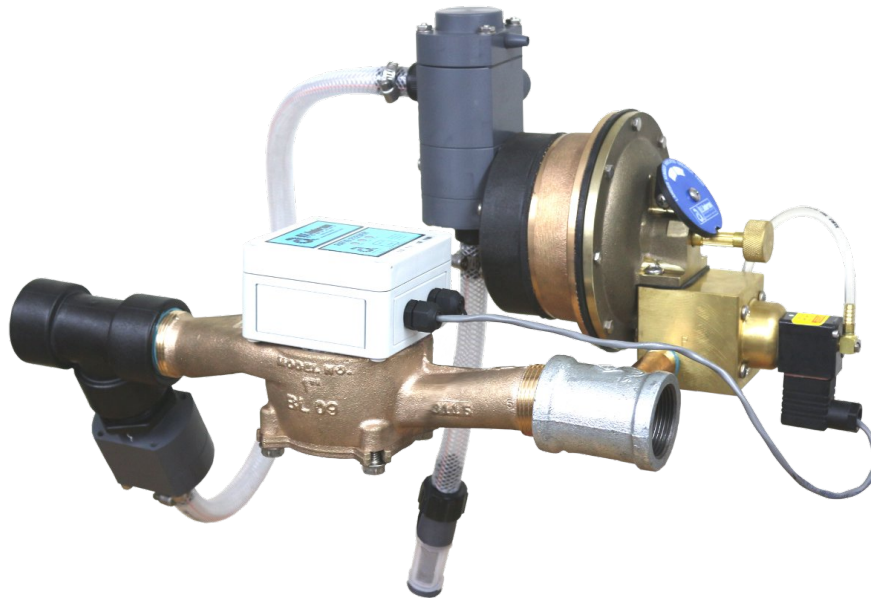




DD Series Ratio Feeder Injection Systems



The DD Series offers an inexpensive way inject almost any liquid into a water line at an adjustable ratio. These pumps will inject one chemical up to a 1:100 ratio and 50 GPM. These models feature an adjustable feed ratio which makes fine tuning the injection ratio as easy as twisting a knob. Injectors can be turned down to 1/10th of their maximum feed ratio.

Please call or email with any questions.

Gary Fay – Eastern Sales Manager
gary@heanderson.com

Randy Nester – HEA Sales
randy@heanderson.com

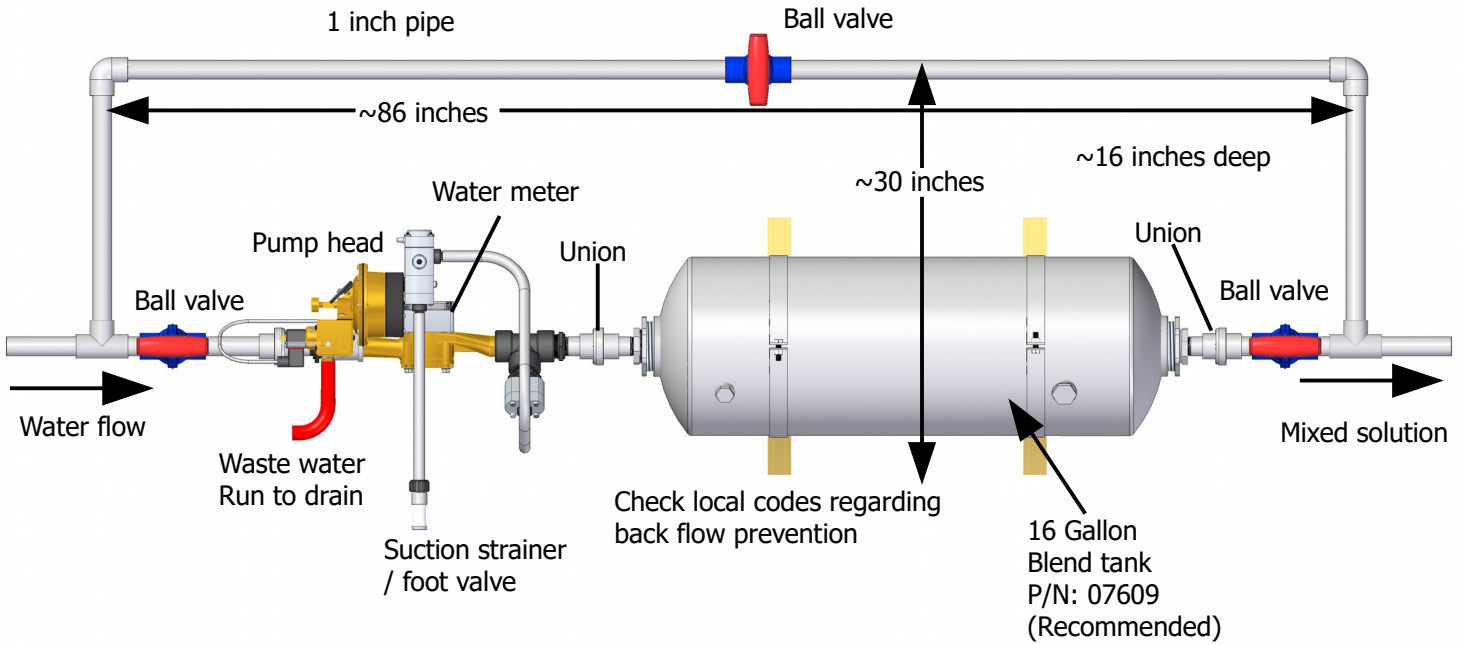
Peter Driver – Atlantic Field Sales
peter@heanderson.com

Bruce Walters – HEA Sales
bruce@heanderson.com



H.E. Anderson
COMPANY
www.heanderson.com
Phone 1-800-331-9620

Typical Installation



Features

- Easy installation and operation
- Extremely accurate injection helps save money on chemicals
- Legendary dependability helps saves time on maintenance
- No sliding seals, accuracy does not degrade over time
- Positive displacement and volume proportioning
- Adjustable feed rate without recalibration
- Filter not required
- Low power consumption, can be powered with a battery or solar power
- 15 month warranty

Specifications

Model	DD100	DD1000	DD1200
Injection Rate	1:100	1:1000	1:1200
Maximum Flow	50 GPM	50 GPM	50 GPM
Minimum flow	3/4 GPM	3/4 GPM	3/4 GPM
Pump Head	H4-HD	A3-VCP	P1-BA
Operating Pressure	30 psi to 125 psi		
Water Temp	33° to 140° F		
Power	12 VDC or 120 VAC		
Feeds 1 solution at specified adjustable ratio			

Please call or email with any questions.

Gary Fay – Eastern Sales Manager
gary@heanderson.com

Randy Nester – HEA Sales
randy@heanderson.com

Peter Driver – Atlantic Field Sales
peter@heanderson.com

Bruce Walters – HEA Sales
bruce@heanderson.com



H.E. Anderson
COMPANY

www.heanderson.com
Phone 1-800-331-9620