

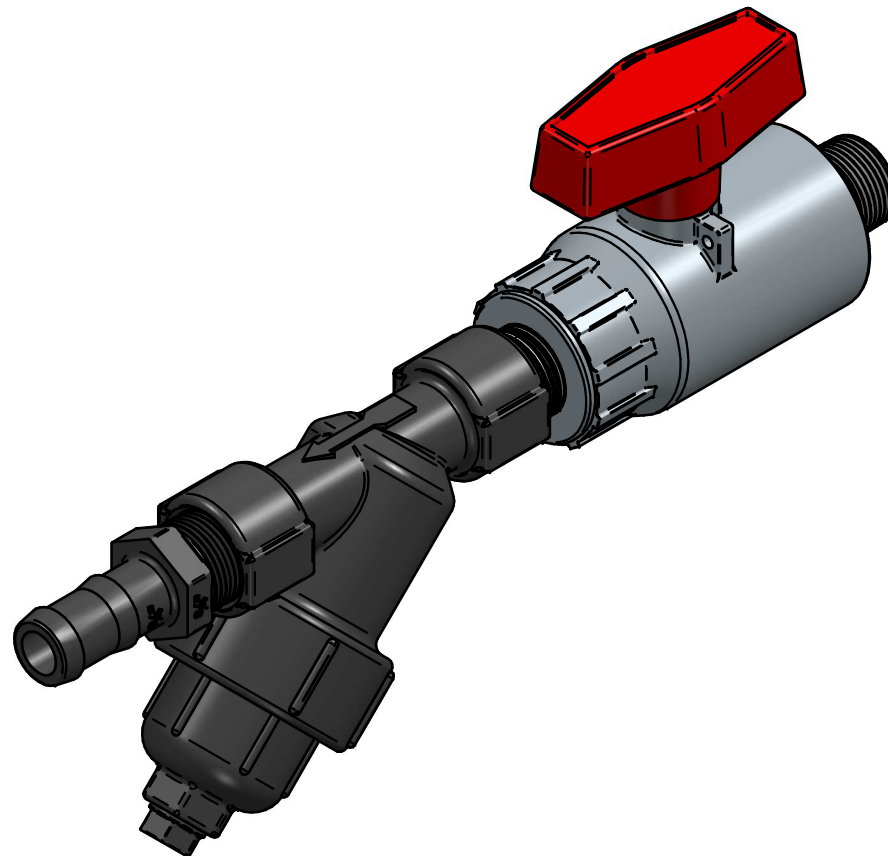
UNLESS OTHERWISE SPECIFIED DIMENSIONS ARE IN INCHES ANGLES ±0.5° X/X ± 1/64 X.XXX ±0.005	SHEET 1 OF 2	REVISION HISTORY	BY	DESCRIPTION	DATE
	SIZE: A		Eric	DRAWING CREATED	05/02/18
	SCALE:				
NAME: #19275 STRAINER KIT FOR PILOT VALVES					
MATERIAL:					
FILE NAME: 19275.dft					



**H.E. Anderson**  
COMPANY

www.heanderson.com  
Phone 1-800-331-9620

Proprietary Rights Apply To The Subject Shown  
And Are Property Of H.E. Anderson Co., Inc.



UNLESS OTHERWISE SPECIFIED DIMENSIONS ARE IN INCHES ANGLES ±0.5° X/X ± 1/64 X.XXX ±0.005	SHEET 2 OF 2	REVISION HISTORY	BY	DESCRIPTION	DATE
	SIZE: A		Eric	DRAWING CREATED	05/02/18
	SCALE:				
NAME: #19275 STRAINER KIT FOR PILOT VALVES					
MATERIAL:					
FILE NAME: 19275.dft					



**H.E. Anderson**  
COMPANY

www.heanderson.com  
Phone 1-800-331-9620

Proprietary Rights Apply To The Subject Shown  
And Are Property Of H.E. Anderson Co., Inc.

KIT ALSO INCLUDES 3/4" HOSE CLAMP

